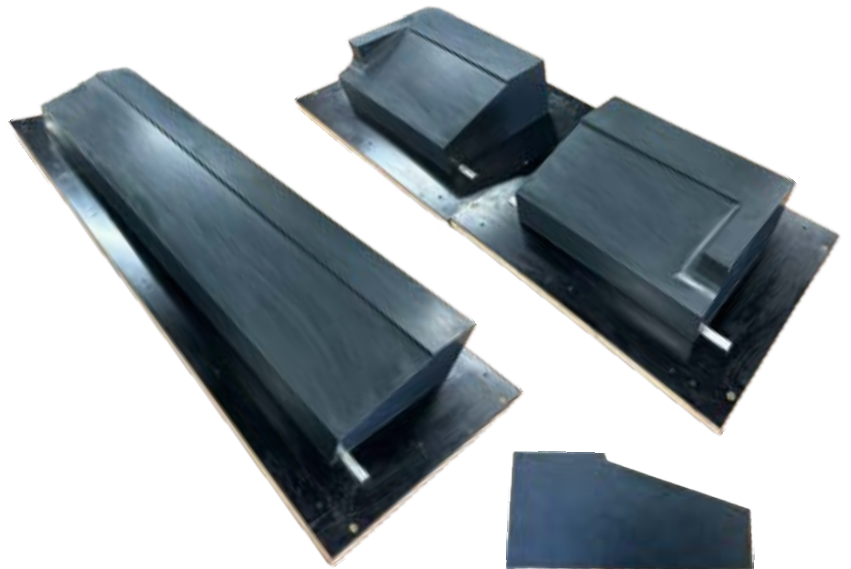
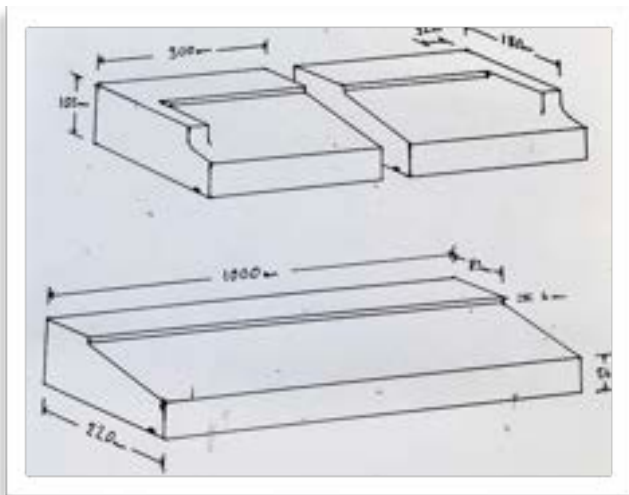


HERITAGE CILL MOULDS

Reproduction of original engineering brick Cill



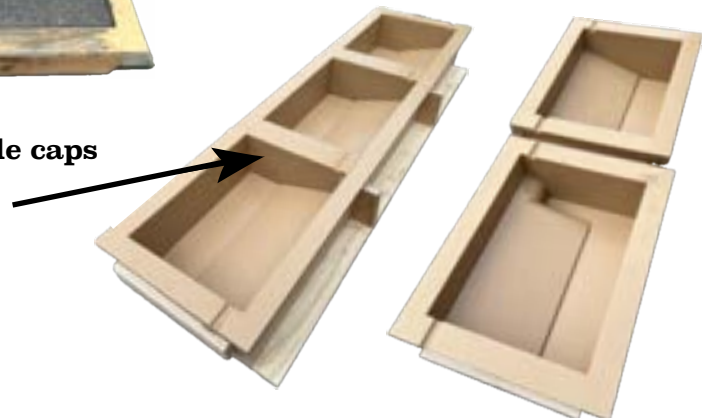
Original engineering brick pieces from client to match up for the architect



Master Patterns produced for Polyurethane production



PU Adjustable caps



Polyurethane production Moulds Complete with support frames



Finished Concrete from Numold Client